

MOBILE DISH DISPENSER OPEN UNHEATED SERIE **MDDO**

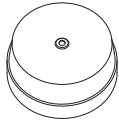
SPECIFICATIONS:

Stainless steel 304 # 4 on top
Stainless steel 1" (25mm) square tubing
5"Ø all swivel, non marking casters with brakes on two
Open style construction with enclosed tube dispensers

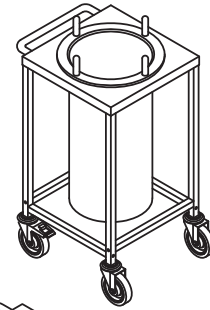
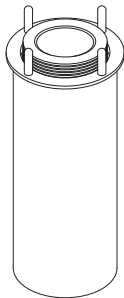
APPLICATIONS:

Cafeterias
Serving line
Back up storage
Tray make-up systems

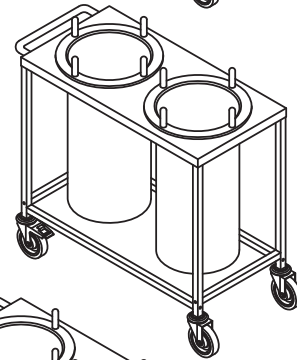
FOR OPTIONAL TUBE COVER
SEE MODEL SERIES CTD



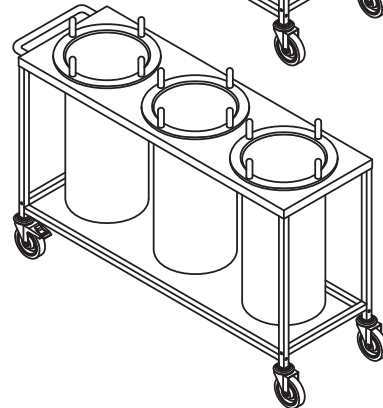
FOR MORE INFORMATIONS ON TUBE DISPENSERS
SEE MODEL SERIES RTD-U



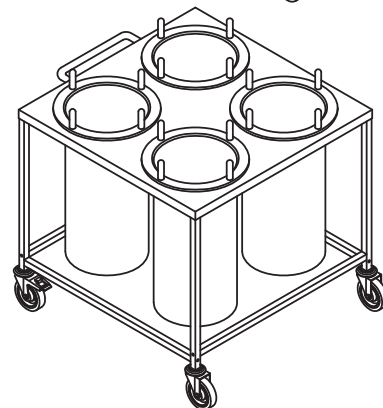
1MDDO



2MDDO



3MDDO



4MDDO