

ROUND TUBE DISPENSER SERIE (OTHER SHAPES)

RTD-O

SPECIFICATIONS:

Tubes can be built in different shapes such as square, rectangle, triangle and oval.

They can be incorporate in a MDD and MDD-H (Call us to know the size of the cabinet that you need)

Stainless steel 304 # 4, 18 ga

Carrier head is suspended by calibrated springs from and under carriage frame assembly

Four guides on top flange for china stability

Can hold 60 standard plates

APPLICATIONS:

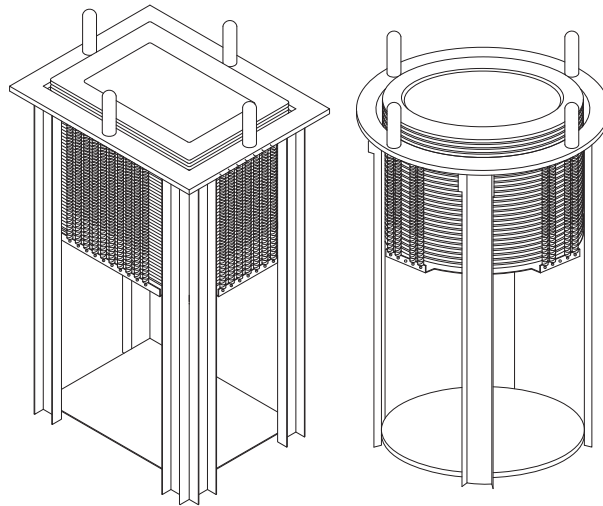
Service counters

Back bars

Serving stations

Buffet counters

Dispenser cart



HEIGHT FROM MOUNTING SURFACE TO BOTTOM OF UNIT IS 25" / 635 mm.

OTHER SIZES AVAILABLE UPON REQUEST.

CALL US FOR MORE DETAILS.