

DOUBLE MOBILE TRAY AND RACK DISPENSER SERIE **D-MTRD**

SPECIFICATIONS:

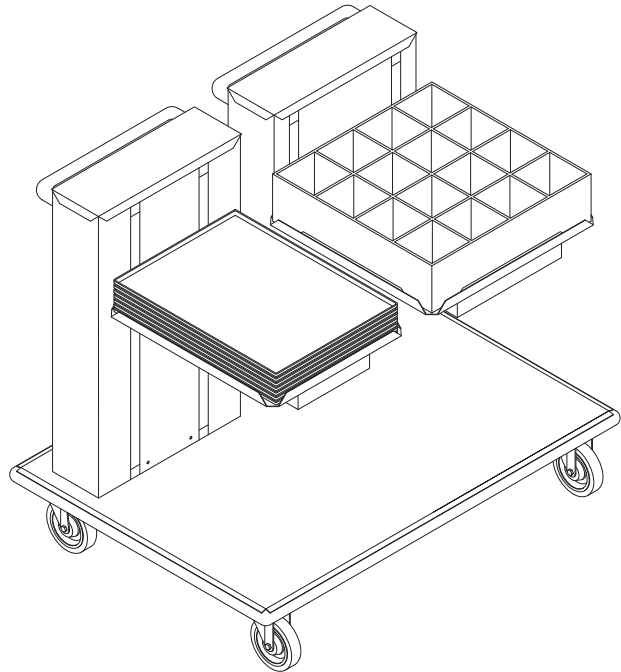
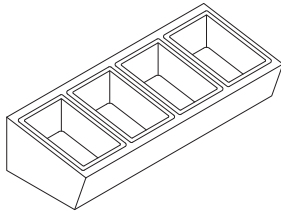
Stainless steel 304 # 4
 Cantilever design
 Wrap-around bumper
 5"Ø all swivel, non marking casters with brakes on two

OPTION:

Upper shelf for cutlery (various sizes and models available)
 Complete hinged cover for upper shelf

APPLICATIONS:

Cafeterias
 Tray make up systems
 Modular buffet systems
 Serving stations



WIDTH AND DEPTH DIMENSIONS INCLUDE BUMPER
OTHER SIZES AVAILABLE UPON REQUEST

MODEL NUMBER	D-MTRD 1020	D-MTRD 1219	D-MTRD 1418	D-MTRD 1321	D-MTRD 1520	D-MTRD 1620	D-MTRD 1622	D-MTRD 2020
TRAY AND RACK SIZE Inch / mm	10" x 20" 508 x 508mm	12" x 19" 305 x 483mm	14" x 18" 356 x 457mm	13" x 21" 330 x 534mm	15" x 20" 381 x 508mm	16" x 20" 406 x 508mm	16" x 22" 406 x 559mm	20" x 20" 406 x 559mm
OVERALL WIDTH Inch / mm	37" 940mm	37" 940mm	37" 940mm	37" 940mm	37" 940mm	37" 940mm	37" 940mm	44.50" 1131mm
OVERALL DEPTH Inch / mm	32" 813mm	32" 813mm	32" 813mm	34" 864mm	32" 813mm	32" 813mm	34" 864mm	32" 813mm
OVERALL HEIGHT Inch / mm	37.50" 953mm	37.50" 953mm	37.50" 953mm	37.50" 953mm	37.50" 953mm	37.50" 953mm	37.50" 953mm	37.50" 953mm
SHIPPING WEIGHT Lbs. / Kg	156 Lbs. 70.9 Kg	158 Lbs. 71.8 Kg	164 Lbs. 74.5 Kg	171 Lbs. 77.7 Kg	171 Lbs. 77.7 Kg	171 Lbs. 77.7 Kg	176 Lbs. 80.0 Kg	182 Lbs. 82.7 Kg

