

MOBILE TRAY AND BOWL DISPENSER SERIE **MTBD**

SPECIFICATIONS:

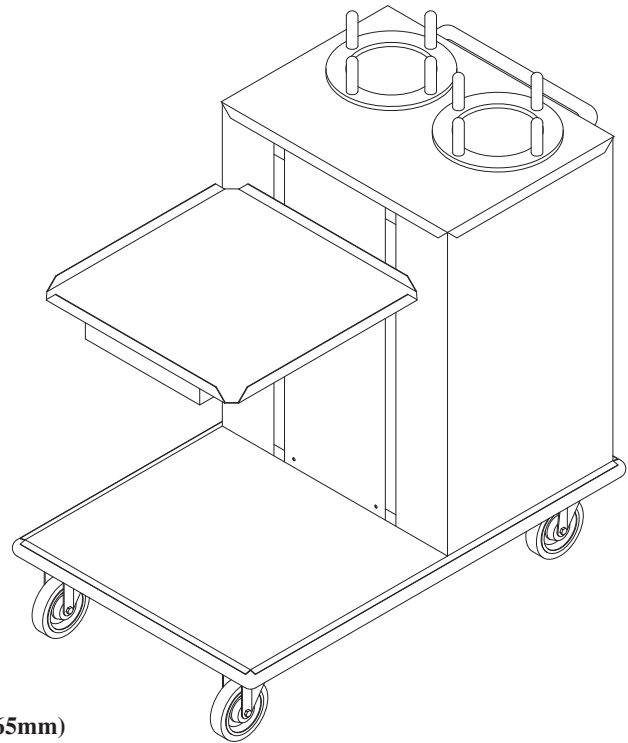
- Stainless steel 304 # 4
- Cantilever design
- Wrap-around bumper
- 5"Ø all swivel, non marking casters with brakes on two

OPTIONAL EQUIPMENT:

- Tube covers for tube dispensers (see model series CTD)
- **Heated bowl dispenser section****

APPLICATIONS:

- Cafeterias
- Tray and make up systems
- Modular buffet systems
- Serving stations



WIDTH AND DEPTH DIMENSIONS INCLUDE BUMPER
OTHER SIZES AVAILABLE UPON REQUEST
MAXIMUM SAUCER AVAILABLE DIAMETER IS 6.50" (165mm)

MODEL NUMBER	MTBD 1020	MTBD 1219	MTBD 1418	MTBD 1321	MTBD 1520	MTBD 1620	MTBD 1622	MTBD 2020
TRAY AND RACK SIZE Inch / mm	10" x 20" 508 x 508mm	12" x 19" 305 x 483mm	14" x 18" 356 x 457mm	13" x 21" 330 x 534mm	15" x 20" 381 x 508mm	16" x 20" 406 x 508mm	16" x 22" 406 x 559mm	20" x 20" 508 x 508mm
OVERALL WIDTH Inch / mm	<p>Ask your representative to learn about all the possibilities, the final dimensions of the item and its price.</p>							
OVERALL DEPTH Inch / mm								
OVERALL HEIGHT Inch / mm								
SHIPPING WEIGHT Lbs. / Kg								

