

MOBILE TRAY, RACK AND BOWL DISPENSER SERIE MTRBD

SPECIFICATIONS:

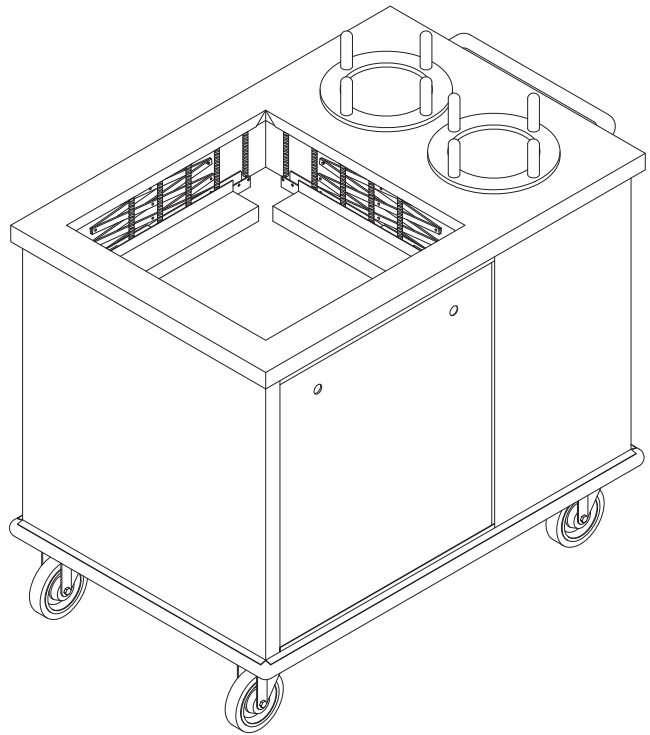
- Stainless steel 304 # 4, 18 ga on all exterior surfaces
- Spring bank mechanism
- Wrap-around bumper
- 5"Ø all swivel, non marking casters with brakes on two

OPTIONAL EQUIPMENT:

Tube covers for tube dispensers (see model series CTD)

APPLICATIONS:

- Cafeterias
- Tray and make up systems
- Modular buffet systems
- Serving stations



WIDTH AND DEPTH DIMENSIONS INCLUDE BUMPER
OTHER SIZES AVAILABLE UPON REQUEST

MODEL NUMBER	MTRBD 1020	MTRBD 1219	MTRBD 1418	MTRBD 1321	MTRBD 1520	MTRBD 1620	MTRBD 1622	MTRBD 2020
TRAY AND RACK SIZE Inch / mm	10" x 20" 508 x 508mm	12" x 19" 305 x 483mm	14" x 18" 356 x 457mm	13" x 21" 330 x 534mm	15" x 20" 381 x 508mm	16" x 20" 406 x 508mm	16" x 22" 406 x 559mm	20" x 20" 508 x 508mm
OVERALL WIDTH Inch / mm	<p>Ask your representative to learn about all the possibilities, the final dimensions of the item and its price.</p>							
OVERALL DEPTH Inch / mm								
OVERALL HEIGHT Inch / mm								
SHIPPING WEIGHT Lbs. / Kg								

