

MOBILE TRAY, RACK AND BOWL DISPENSER SERIE

MTRBD-RS

SPECIFICATIONS:

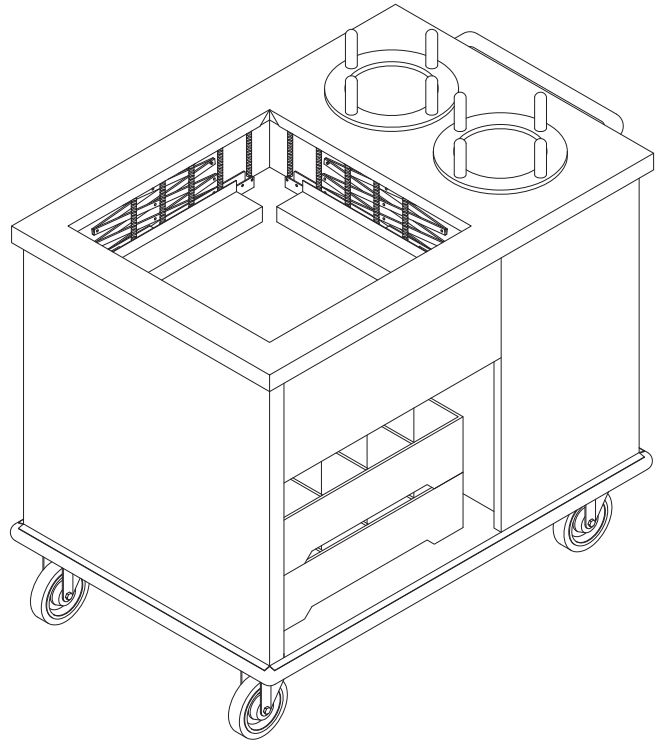
- Stainless steel 304 # 4, 18 ga on all exterior surfaces
- Spring bank mechanism
- Wrap-around bumper
- 5"Ø all swivel, non marking casters with brakes on two
- Open cabinet for empty racks storage

OPTIONAL EQUIPMENT:

- Tube covers for tube dispensers (see model series CTD)
- **Heated bowl dispenser section****

APPLICATIONS:

- Cafeterias
- Tray and make up systems
- Modular buffet systems
- Serving stations



**WIDTH AND DEPTH DIMENSIONS INCLUDE BUMPER
OTHER SIZES AVAILABLE UPON REQUEST**

MODEL NUMBER	MTRBD-RS 1020	MTRBD-RS 1219	MTRBD-RS 1418	MTRBD-RS 1321	MTRBD-RS 1520	MTRBD-RS 1620	MTRBD-RS 1622	MTRBD-RS 2020
TRAY AND RACK SIZE Inch/ mm	10" x 20" 508 x 508mm	12" x 19" 305 x 483mm	14" x 18" 356 x 457mm	13" x 21" 330 x 534mm	15" x 20" 381 x 508mm	16" x 20" 406 x 508mm	16" x 22" 406 x 559mm	20" x 20" 508 x 508mm
OVERALL WIDTH Inch / mm	<p>Ask your representative to learn about all the possibilities, the final dimensions of the item and its price.</p>							
OVERALL DEPTH Inch / mm								
OVERALL HEIGHT Inch / mm								
SHIPPING WEIGHT Lbs. / Kg								

