

MOBILE DISH DISPENSER HEATED 1MDD-H

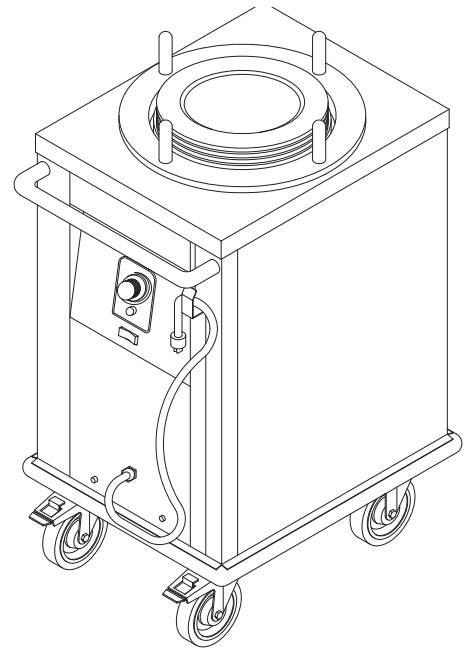
ELECTRICS:

CSA APPROVED
 120V- 60Hz- 1PH- 700Watts
 NEMA 5-15P



OPTIONAL EQUIPMENT:

Tube covers for tube dispensers (see model series CTD)



HEIGHT TO UNIT TOP IS: 34.13" / 867 MM
 OTHER SIZES AVAILABLE UPON REQUEST
 WIDTH AND DEPTH DIMENSIONS INCLUDE BUMPER
 FOR MORE INFORMATIONS ON TUBE DISPENSERS
 SEE MODEL SERIES RTD AND RTD-A

MODEL NUMBER	ROUND TUBE DISPENSER MODEL	OVERALL UNIT WIDTH Inch / mm	OVERALL UNIT DEPTH Inch / mm	SHIPPING WEIGHT APP. Lbs. / Kg			
1MDD-H-1719	RTD-4.50	17.00" / 432mm	19.00" / 483mm	79 Lbs. / 36.9 Kg			
	RTD-5.00						
	RTD-5.50						
	RTD-6.00						
	RTD-6.50						
	RTD-7.00						
	RTD-7.50						
	RTD-A1						
	RTD-8.00						
	RTD-8.50						
1MDD-H-1922	RTD-9.00	19.00" / 483mm	22.50" / 572 mm	120 Lbs. / 54.5 Kg			
	RTD-9.50						
	RTD-10.00						
	RTD-10.50						
	1MDD-H-1922			RTD-A2	19.00" / 483mm	22.50" / 572 mm	128 Lbs. / 58.1 Kg
				RTD-11.00			
				RTD-11.50			
				RTD-12.00			
1MDD-H-1922	RTD-12.50	19.00" / 483mm	22.50" / 572 mm	128 Lbs. / 58.1 Kg			
	RTD-A3						

