

**MOBILE TRAY, RACK AND BOWL DISPENSER HEATED SERIE MTRBD-H**

**SPECIFICATIONS:**

- Stainless steel 304 # 4, 18 ga on all exterior surfaces
- Spring bank mechanism
- Wrap-around bumper
- 5"Ø all swivel, non marking casters with brakes on two
- Variable heat setting thermostat with off position
- Power on pilot light
- Approved power supply cord

**OPTIONAL EQUIPMENT:**

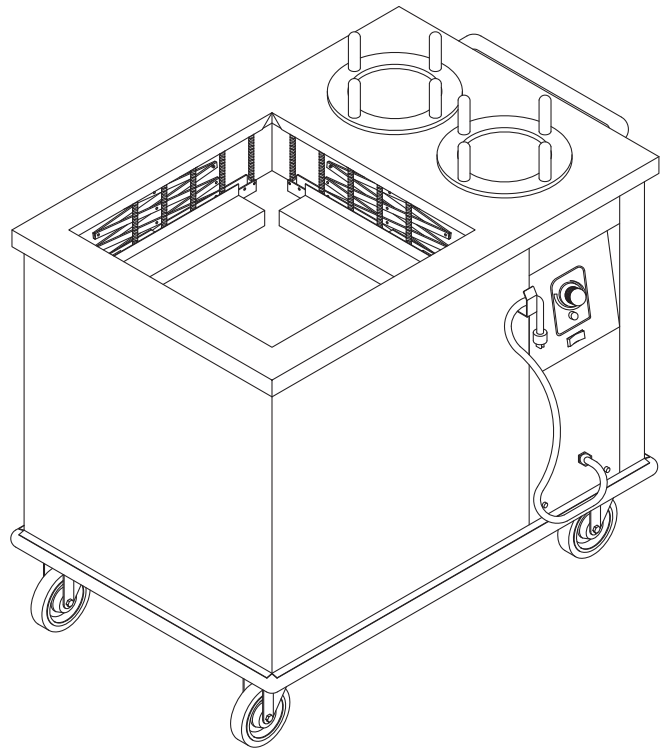
Tube covers for tube dispensers ( see model series CTD )

**APPLICATIONS:**

- Cafeterias
- Tray and make up systems
- Modular buffet systems
- Serving stations

**ELECTRICS:**

- CSA APPROVED
- 120V - 60Hz – 1400 Watts
- NEMA 5 – 15p



**WIDTH AND DEPTH DIMENSIONS INCLUDE BUMPER  
OTHER SIZES AVAILABLE UPON REQUEST**

MODEL NUMBER	MTRBD-H 1020	MTRBD-H 1219	MTRBD-H 1418	MTRBD-H 1321	MTRBD-H 1520	MTRBD-H 1620	MTRBD-H 1622	MTRBD-H 2020
TRAY AND RACK SIZE Inch / mm	10" x 20" 508 x 508mm	12" x 19" 305 x 483mm	14" x 18" 356 x 457mm	13" x 21" 330 x 534mm	15" x 20" 381 x 508mm	16" x 20" 406 x 508mm	16" x 22" 406 x 559mm	20" x 20" 508 x 508mm
OVERALL WIDTH Inch / mm	<p><b>Ask your representative to learn about all the possibilities, the final dimensions of the item and its price.</b></p>							
OVERALL DEPTH Inch / mm								
OVERALL HEIGHT Inch / mm								
SHIPPING WEIGHT Lbs. / Kg								

