

## ANGLE RACK

AR

### **SPECIFICATIONS:**

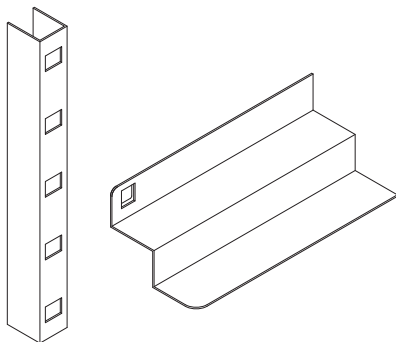
Stainless steel 304 # 4  
1" tubing frame  
16 ga all welded angles  
5"Ø swivel casters

### **OPTIONS:**

Wrap-around bumper  
Removable angles  
Closed base  
2 brakes on wheels  
Stop bars for trays and racks

### **TRAY SLIDES AVAILABLE:**

12" X 20"  
14" X 18"  
16" X 22"  
18" X 26"



Removable angle  
Stainless steel 304 # 4

### **MODEL NUMBER:**

AR-S-1220  
AR-S-1418  
AR-S-1622  
AR-S-1826

