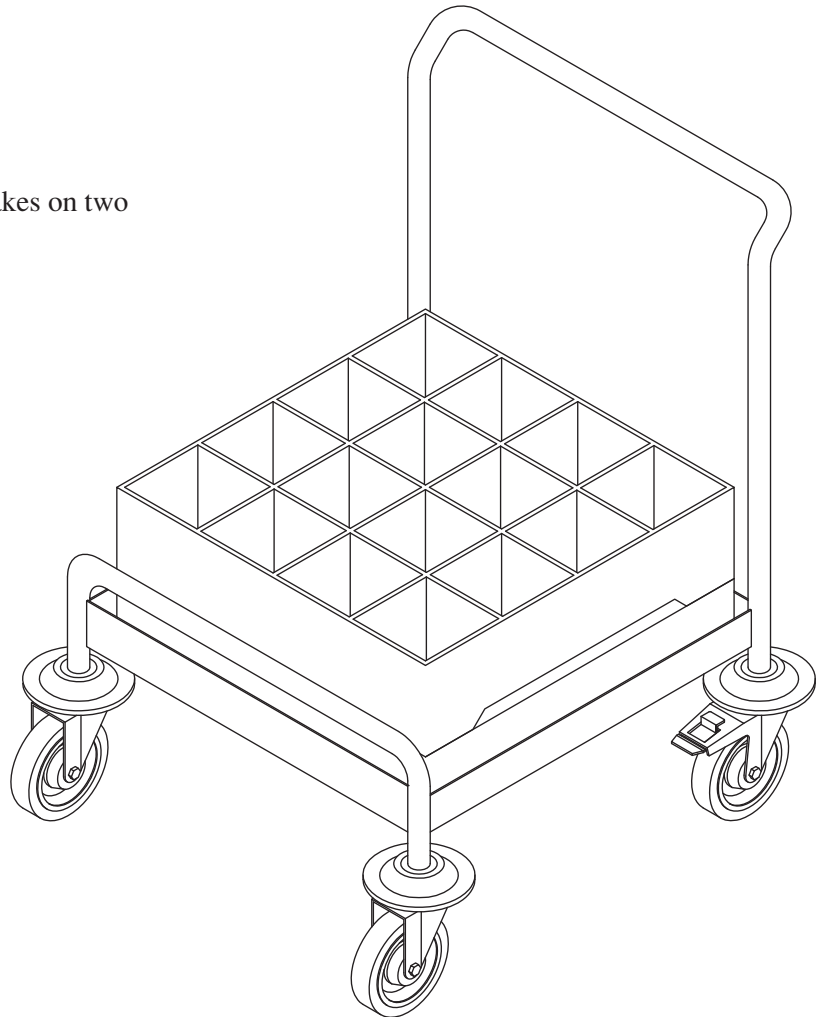


RACK CART **PMP**

SPECIFICATIONS:

- Heavy duty construction
- Stainless steel 304 # 4
- 1" tubing frame
- 14 ga fully welded angles
- 5"Ø all swivel, non marking casters with brakes on two
- Donut bumper on each wheel



**OTHER SIZES AVAILABLE UPON REQUEST
WIDTH AND DEPTH DIMENSIONS INCLUDE BUMPER**

MODEL NUMBER	WIDTH Inch / mm	DEPTH Inch / mm	HEIGHT Inch / mm
PMP-2020	26.50" 673 mm	26.50" 673 mm	30" 762 mm
PMP-2040	26.50" 673 mm	46.50" 1 181 mm	30" 762 mm

