

DISH CART **SDC**

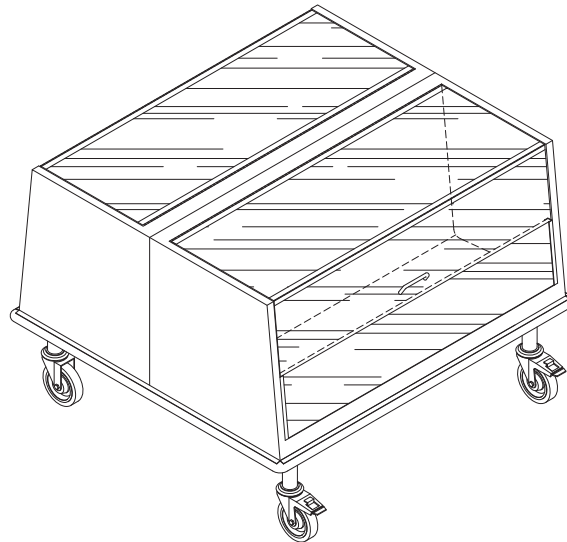
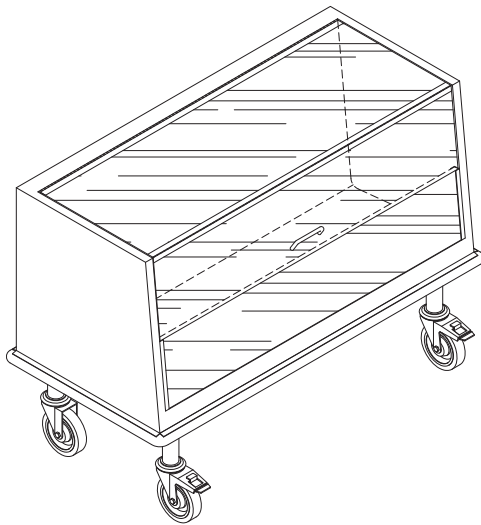
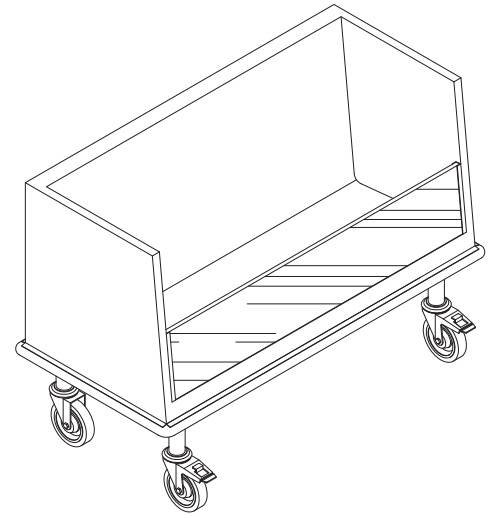
SPECIFICATIONS:

- Stainless steel 304 # 4
- 16 ga dish compartment with two 14 ga reinforcements under
- Titled dish compartment
- Wrap-around bumper
- 5"Ø all swivel, non marking casters with brakes on two

OPTIONS:

- Full hinged cover
- Double dish cart, with or without cover

Please contact our sales department for a dish cart as per your specifications



OTHER SIZES AVAILABLE UPON REQUEST

MODEL NUMBER	WIDTH Inch / mm	DEPTH Inch / mm	HEIGHT Inch / mm
SDC-28	27.75" 705mm	20" 508mm	32" 813mm
SDC-36	35.75" 908mm	20" 508mm	32" 813mm
SDC-44	43.75" 1111mm	20" 508mm	32" 813mm

