

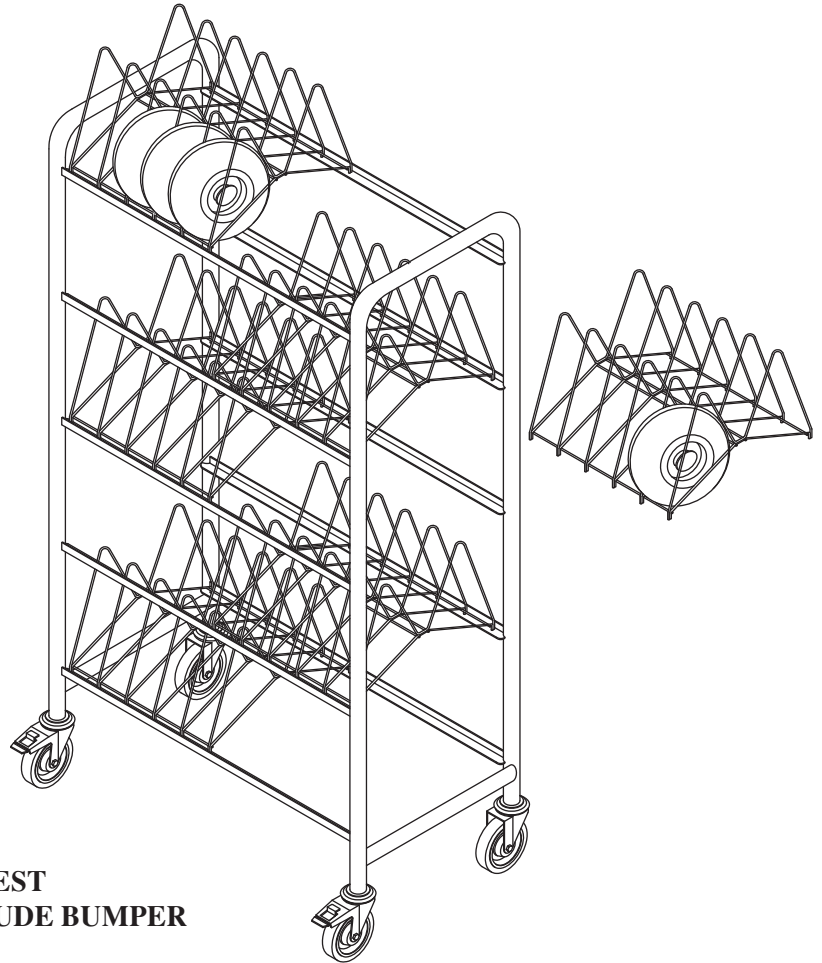
INSULATED BASE AND COVER CART **BCC**

SPECIFICATIONS:

- 1"Ø stainless steel 304 #4 tubing structure
- 4"Ø all swivel, non marking casters with brakes on two
- Removable stainless steel cradles
- Standard model (BCC-100) can hold 100 bases or covers from 9" to 11" (229mm x 280mm)

OPTION:

- Donut bumpers on each wheel



**OTHER SIZES AVAILABLE UPON REQUEST
WIDTH AND DEPTH DIMENSIONS INCLUDE BUMPER**

MODEL NUMBER	WIDTH Inch / mm	DEPTH Inch / mm	HEIGHT Inch / mm
BBC-100	39.75" 1010 mm	20.125" 512 mm	72.75" 1848 mm

