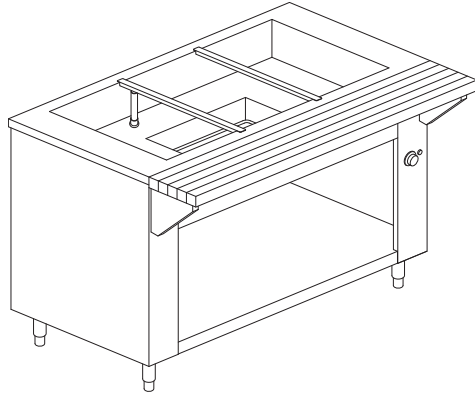


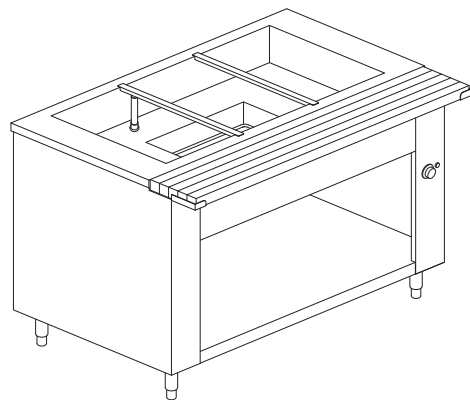
ELECTRIC STEAM TABLE

EST

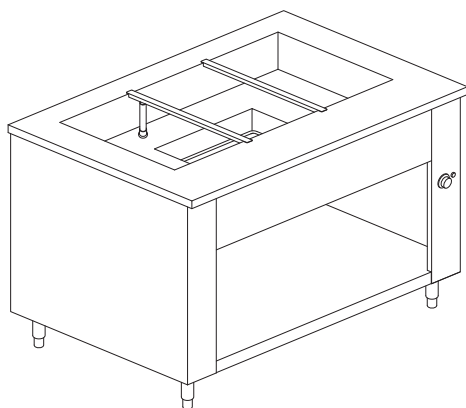
ECONOMIC: EST-E



STANDARD (WITH A RECESSED WOOD CUTTING BOARD): EST-S



STANDARD MODEL WITHOUT A CUTTING BOARD: EST-W



ELECTRIC STEAM TABLE **EST**

SPECIFICATIONS:

Stainless steel 304-#4 finish on all exposed surfaces.
 Well is controlled by a variable heat thermostat with a
 "THERMOSTAT ON" pilot light.
 Open base for storage.
 6" adjustable legs.
 CSA approved.
 208 volts or 240 volts available.
 Drain with overflow

OPTIONS:

See page 60

**CALL US FOR A CUSTOMIZED TABLE THAT COULD
 INCORPORATES DISH DISPENSERS OR FITS YOUR SPECIFIC
 NEEDS.**

OTHER SIZES AVAILABLE UPON REQUEST

MODEL NUMBER	OVERALL WIDTH Inch / mm	BASE DEPTH Inch / mm	OVERALL DEPTH Inch / mm	OVERALL HEIGHT Inch / mm
EST-E-24	24" / 610 mm	24" / 610 mm	32" / 813 mm	35" / 889 mm
EST-E-33	33" / 839 mm	24" / 610 mm	32" / 813 mm	35" / 889 mm
EST-E-48	48" / 1220 mm	24" / 610 mm	32" / 813 mm	35" / 889 mm
EST-E-60	60" / 1524 mm	24" / 610 mm	32" / 813 mm	35" / 889 mm
EST-E-72	72" / 1829 mm	24" / 610 mm	32" / 813 mm	35" / 889 mm
EST-E-86	86" / 2185 mm	24" / 610 mm	32" / 813 mm	35" / 889 mm
EST-S-24	24" / 610mm	29" / 737 mm	32" / 813 mm	35" / 889 mm
EST-S-33	33" / 839mm	29" / 737 mm	32" / 813 mm	35" / 889 mm
EST-S-48	48" / 1220 mm	29" / 737 mm	32" / 813 mm	35" / 889 mm
EST-S-60	60" / 1524 mm	29" / 737 mm	32" / 813 mm	35" / 889 mm
EST-S-72	72" / 1829 mm	29" / 737 mm	32" / 813 mm	35" / 889 mm
EST-S-86	86" / 2185 mm	29" / 737 mm	32" / 813 mm	35" / 889 mm
EST-W-24	24" / 610mm	31.25" / 794 mm	32" / 813 mm	35" / 889 mm
EST-W-33	33" / 839mm	31.25" / 794 mm	32" / 813 mm	35" / 889 mm
EST-W-48	48" / 1220 mm	31.25" / 794 mm	32" / 813 mm	35" / 889 mm
EST-W-60	60" / 1524 mm	31.25" / 794 mm	32" / 813 mm	35" / 889 mm
EST-W-72	72" / 1829 mm	31.25" / 794 mm	32" / 813 mm	35" / 889 mm
EST-W-86	86" / 2185 mm	31.25" / 794 mm	32" / 813 mm	35" / 889 mm

