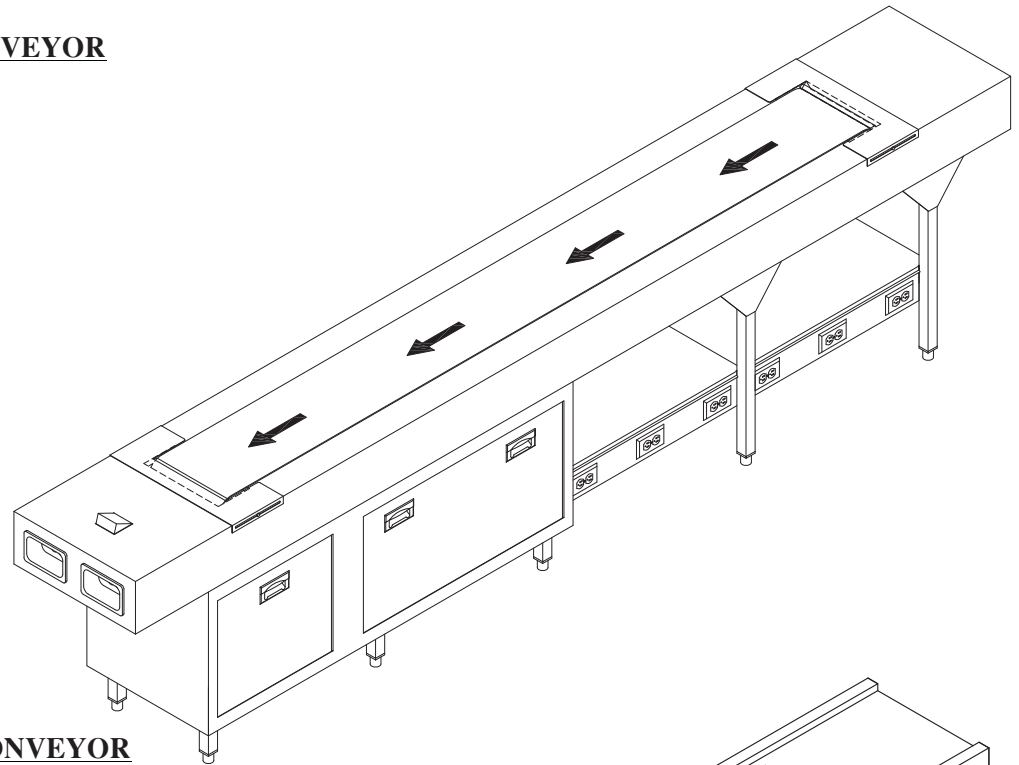
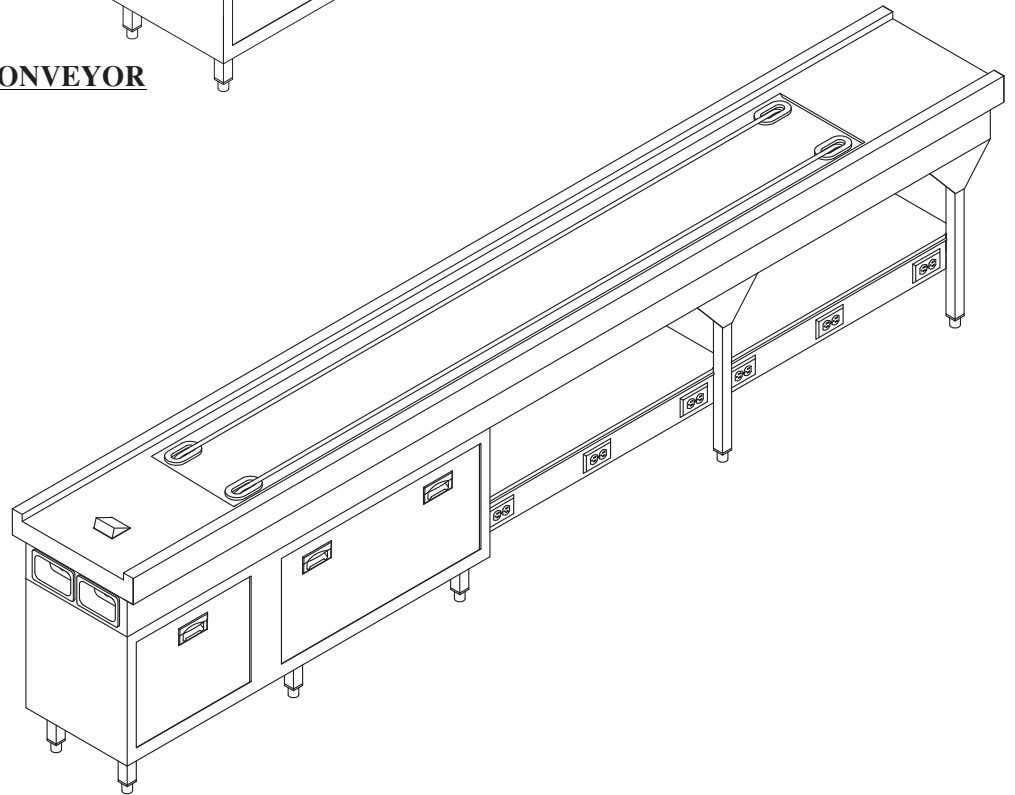


TRAY MAKE UP CONVEYOR **TMC**

TRAY MAKE UP BELT CONVEYOR

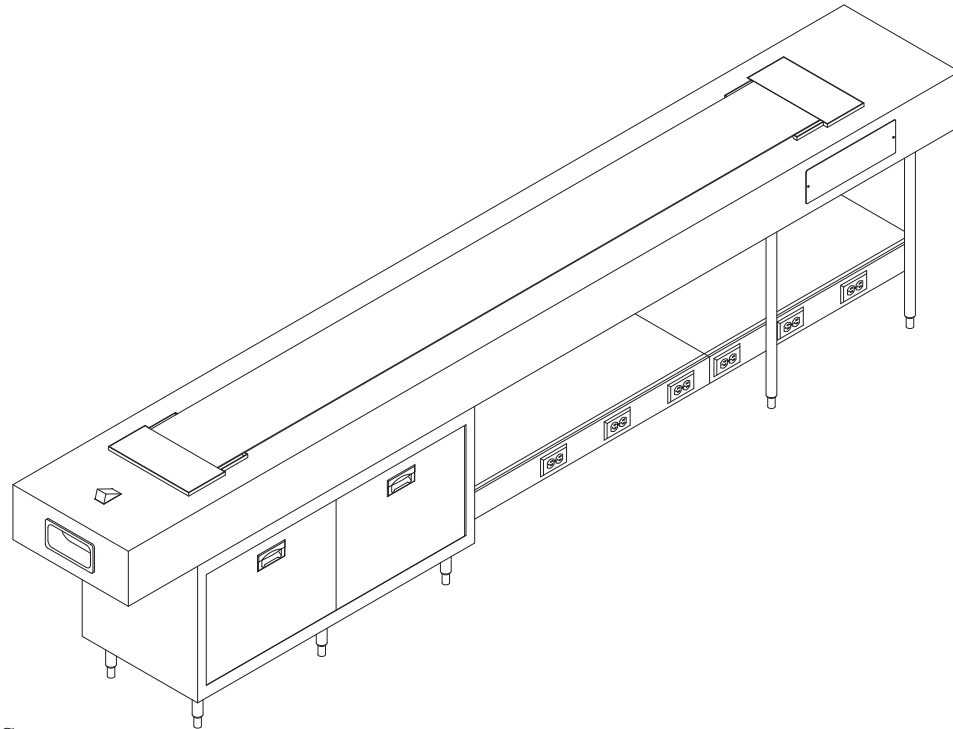


TRAY MAKE UP CORDS CONVEYOR



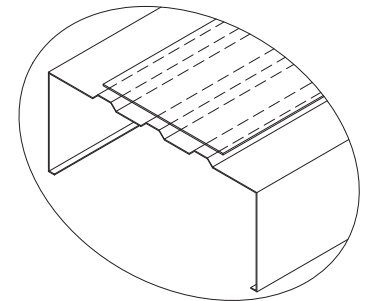
TRAY MAKE UP CONVEYOR

TMC



SPECIFICATIONS:

- Stainless steel, type 304, #4 finish on all exposed surfaces.
- Modular design allows units to be shipped assembled (when length permits) or disassembled.
- Adjustable stainless steel mounting feet that make up for uneven floor surfaces.
- Easy cleaning, endless, laminated belt with take-up adjustment.
- Belt scraper with crumb catcher for continuous cleaning during operation.
- Variable belt speed control.
- ”Start” and “stop” controls at both end of conveyor.
- Automatic tray stop control at “finish end of conveyor.
- Drive housing with removable access panels contains all drive equipment.
- Length as per customer's request.
- May have poly-cords instead of belt.
- Embossed design that prevent the belt from sticking to the conveyor surface. It also prevent from a premature deterioration of the belt and provides a quicker drying after cleaning.



OPTIONAL EQUIPMENT:

- Main breaker panel with main disconnect.
- Electrical raceway with removable cover and receptacle.
- Individual breaker circuits for each receptacle.
- The conveyor can be mobile on 5” Ø all swivel, non marking casters with brakes on four.

ELECTRICS:

- CSA approved
- 120V- 60Hz- 1PH- ¼ HP
- NEMA 5-15P

