

MOBILE DISH DISPENSER HEATED SERIE **MDD-H**

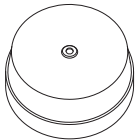
SPECIFICATIONS:

- Stainless steel 304 # 4, 18 ga on all exterior surfaces
- Double wall insulated construction
- Wrap-around bumper
- 5"Ø all swivel, non marking casters with brakes on two
- Variable heat setting thermostat with Off position
- Power On pilot light
- All the MDD-Hs are CSA approved
- Approved power supply cord

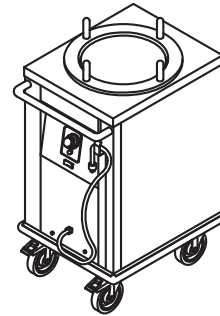
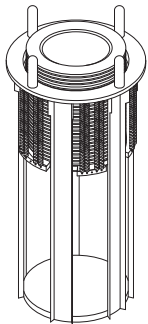
APPLICATIONS:

- Cafeterias
- Serving lines
- Back up storage
- Tray make-up storage

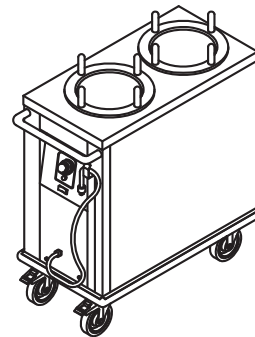
FOR OPTIONAL TUBE COVER
SEE MODEL SERIES CTD



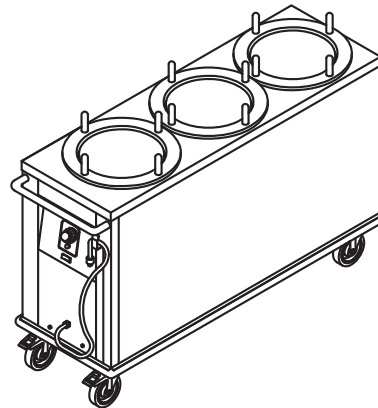
FOR MORE INFORMATIONS ON TUBE DISPENSERS
SEE MODEL SERIES RTD AND RTD-A



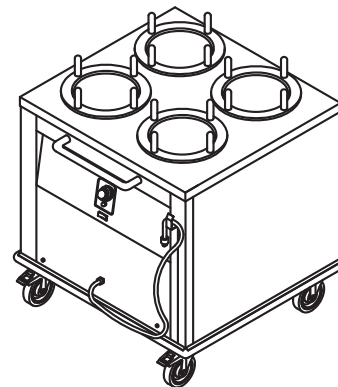
1MDD-H



2MDD-H



3MDD-H



4MDD-H

