

MOBILE DISH DISPENSER HEATED **2MDD-H**

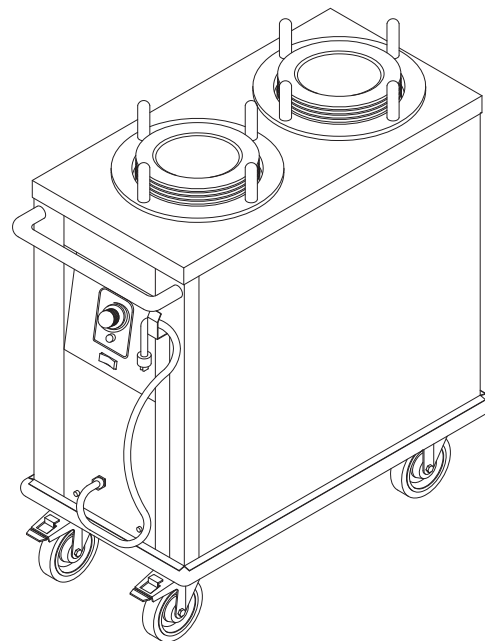
ELECTRICS:

CSA APPROVED
120V- 60Hz- 1PH- 1050Watts
NEMA 5-15P



OPTIONAL EQUIPMENT:

Tube covers for tube dispensers (see model series CTD)



HEIGHT TO UNIT TOP IS: 34.13" / 867 MM
OTHER SIZES AVAILABLE UPON REQUEST
WIDTH AND DEPTH DIMENSIONS INCLUDE BUMPER
FOR MORE INFORMATIONS ON TUBE DISPENSERS
SEE MODEL SERIES RTD AND RTD-A

MODEL NUMBER	ROUND TUBE DISPENSER MODEL	OVERALL UNIT WIDTH Inch / mm	OVERALL UNIT DEPTH Inch / mm	SHIPPING WEIGHT APP. Lbs. / Kg
2MDD-H-1729	RTD-4.50	17.00" / 432mm	29.00" / 737mm	119 Lbs. / 54.0 Kg
	RTD-5.00			
	RTD-5.50			
	RTD-6.00			
	RTD-6.50			
	RTD-7.00			
	RTD-7.50			
	RTD-A1			
2MDD-H-1734	RTD-8.00	17.00" / 432mm	34.00" / 864mm	151 Lbs. / 68.6 Kg
	RTD-8.50			
	RTD-9.00			
	RTD-9.50			
	RTD-10.00			
	RTD-10.50			
2MDD-H-1938	RTD-A2	19.00" / 483mm	38.00" / 965mm	170 Lbs. / 77.2 Kg
	RTD-11.00			
	RTD-11.50			
	RTD-12.00			
	RTD-12.50			
	RTD-A3			

