

**MOBILE TRAY AND RACK DISPENSER HEATED SERIE M-TRD-H**

**SPECIFICATIONS:**

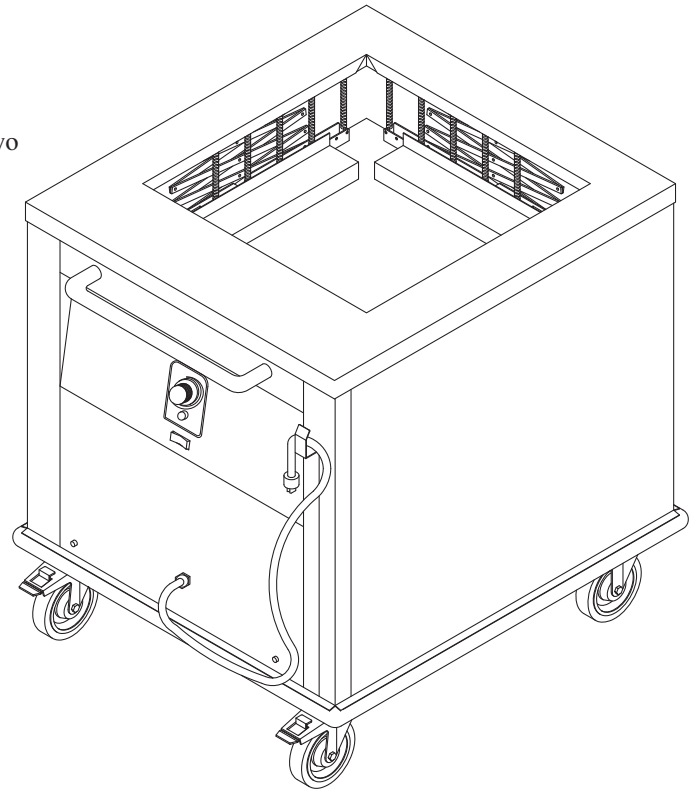
- Stainless steel 304 # 4, 18 ga on all exterior surfaces
- Spring bank mechanism
- Wrap around bumper
- 5"Ø all swivel, non-marking casters with brakes on two
- Variable heat setting thermostat with Off position
- Power On pilot light
- Approved power supply cord

**APPLICATIONS:**

- Cafeterias
- Serving line
- Tray make up system
- Back up storage

**ELECTRICS:**

- CSA APPROVED
- 120V- 60Hz- 1PH- 1400Watts
- NEMA 5-15P



OVERALL HEIGHT IS : 36" / 914mm.  
 WIDTH AND DEPTH DIMENSIONS INCLUDE BUMPER  
 OTHER SIZES AVAILABLE UPON REQUEST

MODEL NUMBER	M-TRD-H 1020	M-TRD-H 1216	M-TRD-H 1219	M-TRD-H 1418	M-TRD-H 1321	M-TRD-H 1520	M-TRD-H 1620	M-TRD-H 1622	M-TRD-H 2020	M-TRD-H 1826
<b>TRAY AND RACK SIZE</b> Inch / mm	10" x 20" 254 x 508mm	12" x 16" 305 x 406mm	12" x 19" 305 x 483mm	14" x 18" 356 x 457mm	13" x 21" 330 x 534mm	15" x 20" 381 x 508mm	16" x 20" 407 x 508mm	16" x 22" 407 x 559mm	20" x 20" 508 x 508mm	18" x 26" 457 x 660mm
<b>OVERALL WIDTH</b> Inch / mm	17.00" 432mm	19.00" 483mm	19.00" 483mm	21.00" 534mm	20.00" 508mm	22.00" 559mm	23.00" 584mm	23.00" 584mm	27.00" 686mm	25.00" 635mm
<b>OVERALL DEPTH</b> Inch / mm	27.00" 686mm	23.00" 584mm	26.00" 660mm	25.00" 635mm	28.00" 711mm	27.00" 686mm	27.00" 686mm	29.00" 737mm	27.00" 686mm	33.00" 838mm
<b>SHIPPING WHEIGHT</b> Lbs. / Kg	105 Lbs. 47.7 Kg	105 Lbs. 47.7 Kg	110 Lbs. 50 Kg	110 Lbs. 50 Kg	115 Lbs. 52.2 Kg	115 Lbs. 52.2 Kg	115 Lbs. 52.2 Kg	120 Lbs. 54.5 Kg	125 Lbs. 56.8 Kg	125 Lbs. 56.8 Kg

