

CUTLERY UTILITY CART

CUC

SPECIFICATIONS:

Stainless steel 304 # 4

Stainless steel 304, 1"Ø tubing

18 ga shelf with a 14 ga centered reinforcement to accept standard size cutlery cylinders

18 ga bottom shelf with a 14 ga centered reinforcement

5"Ø all swivel, non marking casters with brakes on two

APPLICATIONS:

Conveyors

Cafeterias

Tray make up systems

Serving lines

Modular buffet systems

Serving stations

OPTIONS:

Donut bumpers

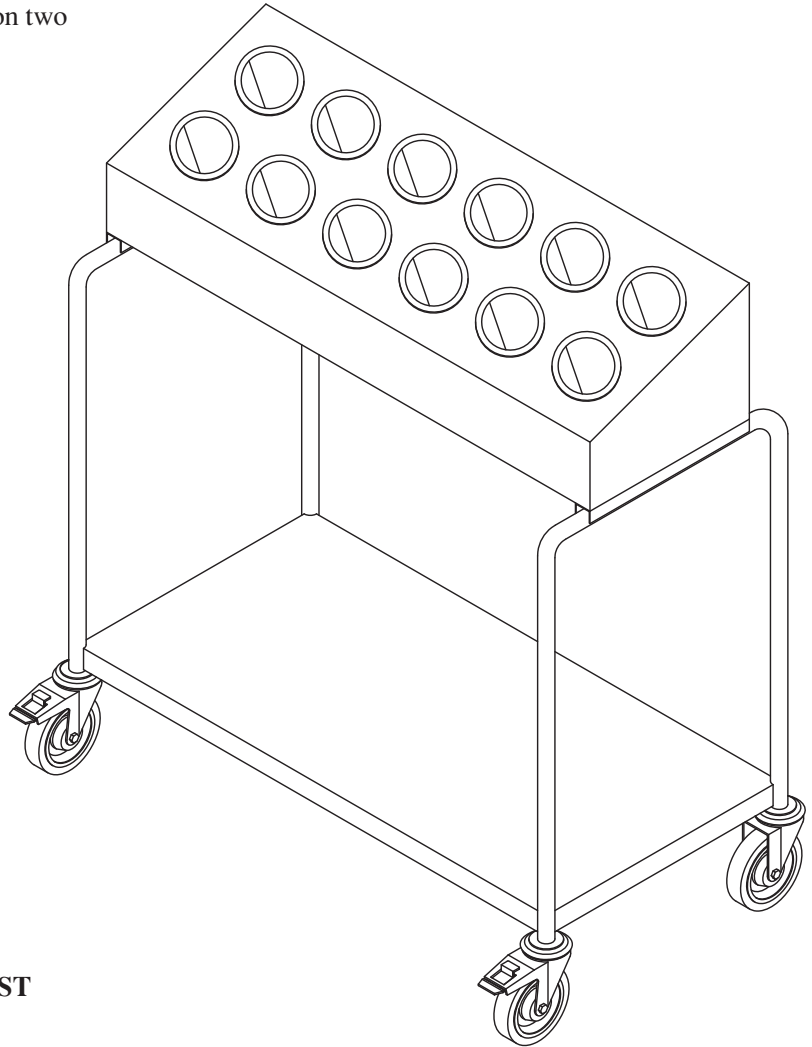
Menu card holder

DIMENSIONS:

Width: 41" / 1042mm

Depth : 22,5" / 571mm

Height: 45 " / 1143mm



OTHER SIZES AVAILABLE UPON REQUEST