

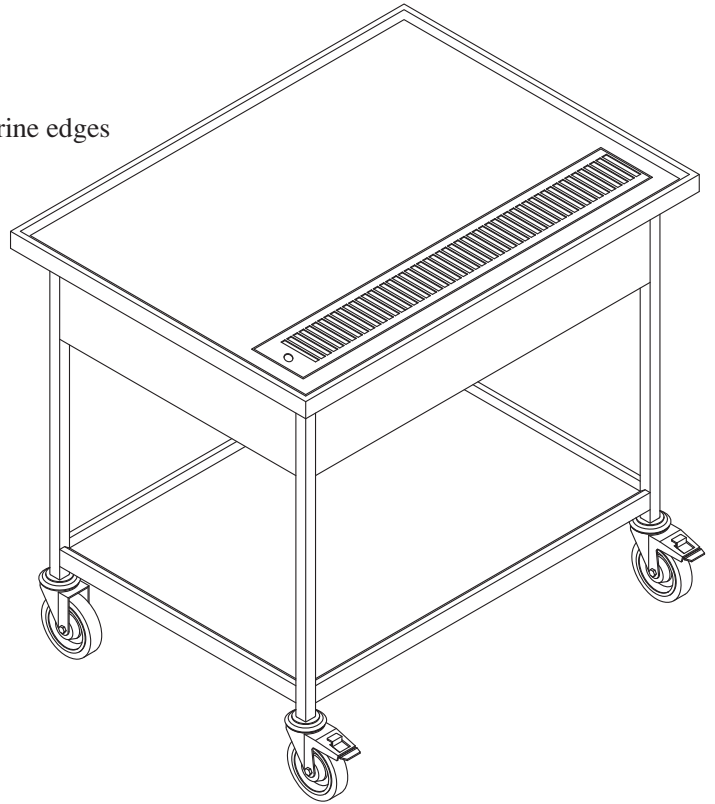
COFFEE URN CART **COF**

SPECIFICATIONS:

- Heavy duty construction
- Stainless steel 304 # 4,
- 16 ga top shelf with a 14 ga centered reinforcement and marine edges
- Fully welded drip pan with drain
- 1" tubing frame
- 16 ga bottom shelf with marine edges
- 5"Ø all swivel, non marking casters with brakes on two

OPTIONS:

- Stainless steel adjustable legs
- Closed cabinet base
- Double tray storage (angle rack) base



OTHER SIZES AVAILABLE UPON REQUEST

MODEL NUMBER	COF-2430	COF-2436	COF-2440	COF-3030	COF-3036	COF-3040
OVERALL WIDTH Inch / mm	30" 762 mm	36" 914 mm	40" 1016 mm	30" 762 mm	36" 914 mm	40" 1016 mm
OVERALL DEPTH Inch/ mm	24" 610 mm	24" 610 mm	24" 610 mm	30" 762 mm	30" 762 mm	30" 762 mm
OVERALL HEIGHT Inch / mm	36" 914mm	36" 914mm	36" 914mm	36" 914mm	36" 914mm	36" 914mm

