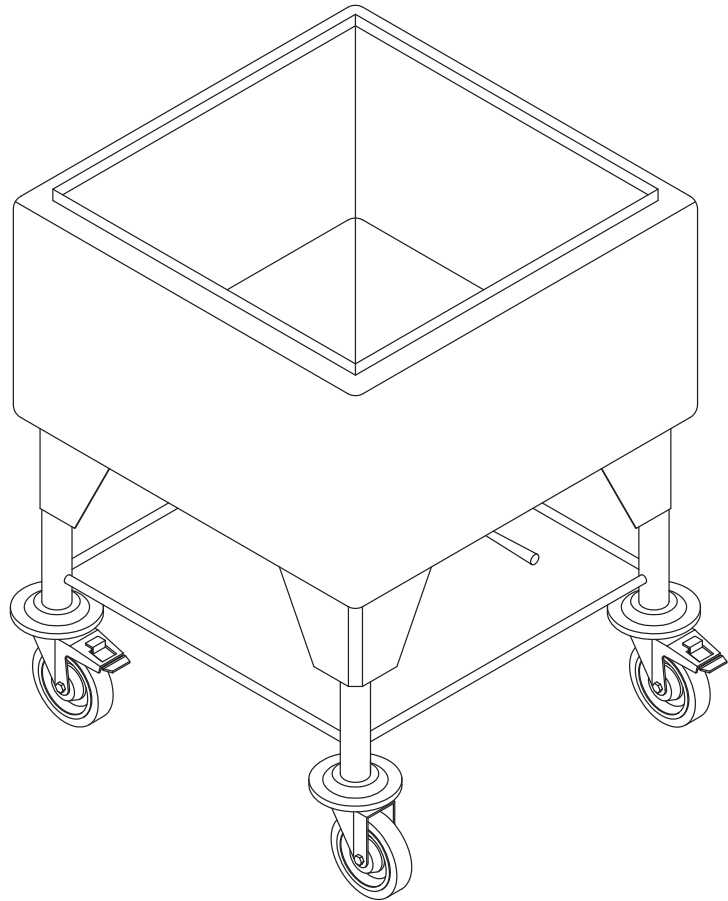


**MOBILE SINK** **MS**

**SPECIFICATIONS:**

- Stainless steel 304, #4, 14 Ga
- Handle waste
- 2mm s/s rod braces
- 125mm (5") swivel casters
- 2 diagonal braces
- Donut bumpers

**\*\*INSTITUTIONAL CALIBER\*\***



**WIDTH AND DEPTH DIMENSIONS INCLUDE BUMPER  
OTHER SIZES AVAILABLE UPON REQUEST**

| <b>MODEL NUMBER</b> | <b>OVERALL WIDTH<br/>Inch / mm</b> | <b>OVERALL DEPTH<br/>Inch / mm</b> | <b>OVERALL HEIGHT<br/>Inch / mm</b> |
|---------------------|------------------------------------|------------------------------------|-------------------------------------|
| MS-2626             | 27.625"<br>702mm                   | 27.625"<br>702mm                   | 34"<br>864mm                        |

